

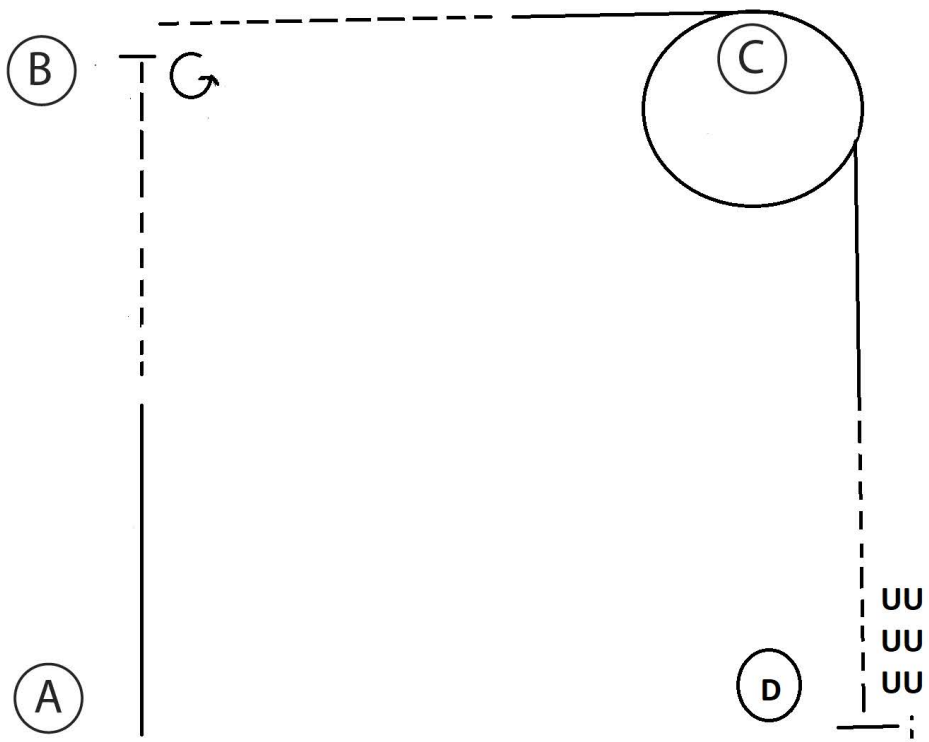
# Wayne Co Fair

## Sr Equitation

Show Date: 09-10-2024

w w w . H o r s e S h o w P a t t e r n s . c o m

w w w . H o r s e S h o w P a t t e r n s . c o m



1. Canter left lead halfway to B
2. Sitting trot to B
3. Stop at B and execute 270 degree turn on haunches left
4. Posting trot right diagonal halfway to C
5. Canter right lead to and in a circle around C
6. Continue on the right lead halfway to D
7. Posting trot left diagonal to D
8. Stop at D. Back approx 1 horse length
9. walk forward to and past D

- Walk
- Trot
- Extended Trot
- Canter
- Leg Yield
- Lead Change
- Back
- Marker
- Sidepass

[HSE/WT-2]

Pattern Provided by:  
*Judge*

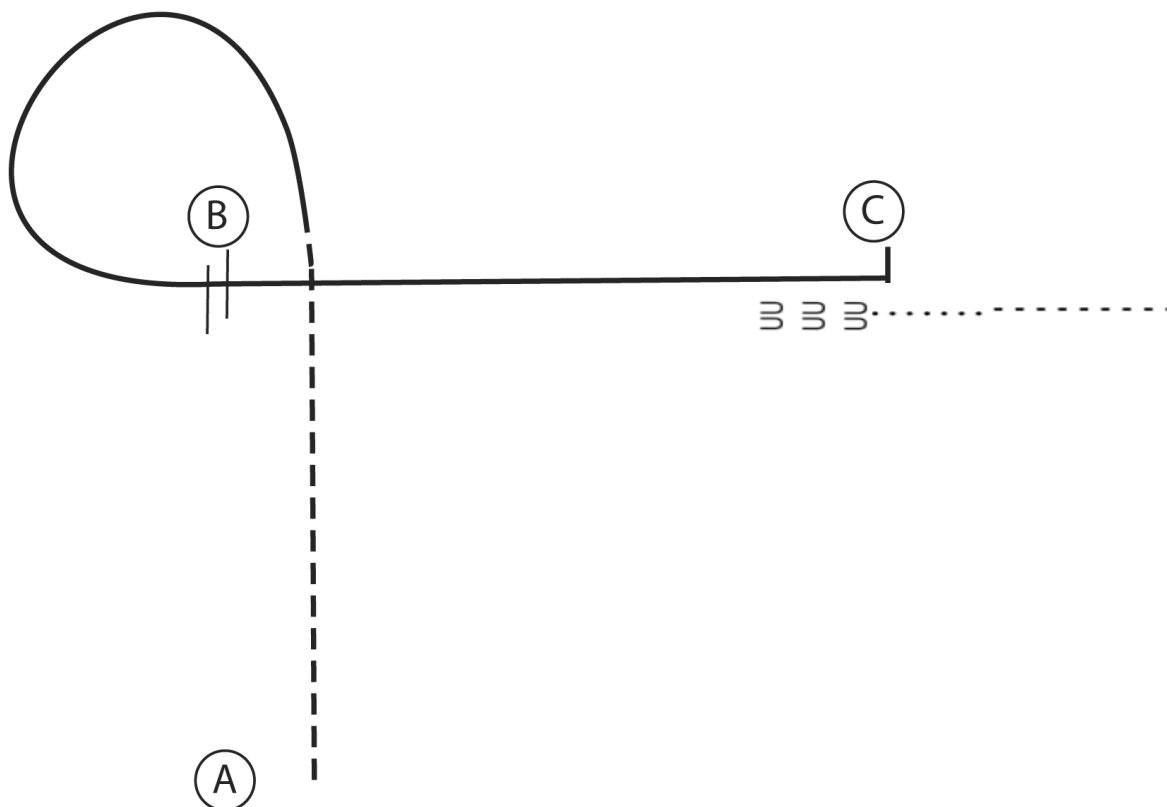
# Wayne Co Fair

## Junior English Equitation

Show Date: 09-10-2024

w w w . H o r s e S h o w P a t t e r n s . c o m

w w w . H o r s e S h o w P a t t e r n s . c o m



1. Posting trot A to B on the right diagonal
2. At B canter on the left lead around B
3. Perform a lead change at B and continue to C
4. Stop at C **back 5 steps**
5. Walk 2 horse lengths, trot to exit

Walk	.....
Trot	-----
Extended Trot	-----
Canter	—————
Leg Yield	
Lead Change	↙ ↘
Back	←←←←←
Marker	⊙
Sidepass	←-----←

[HSE/1-8]

Pattern Provided by:

*Judge*

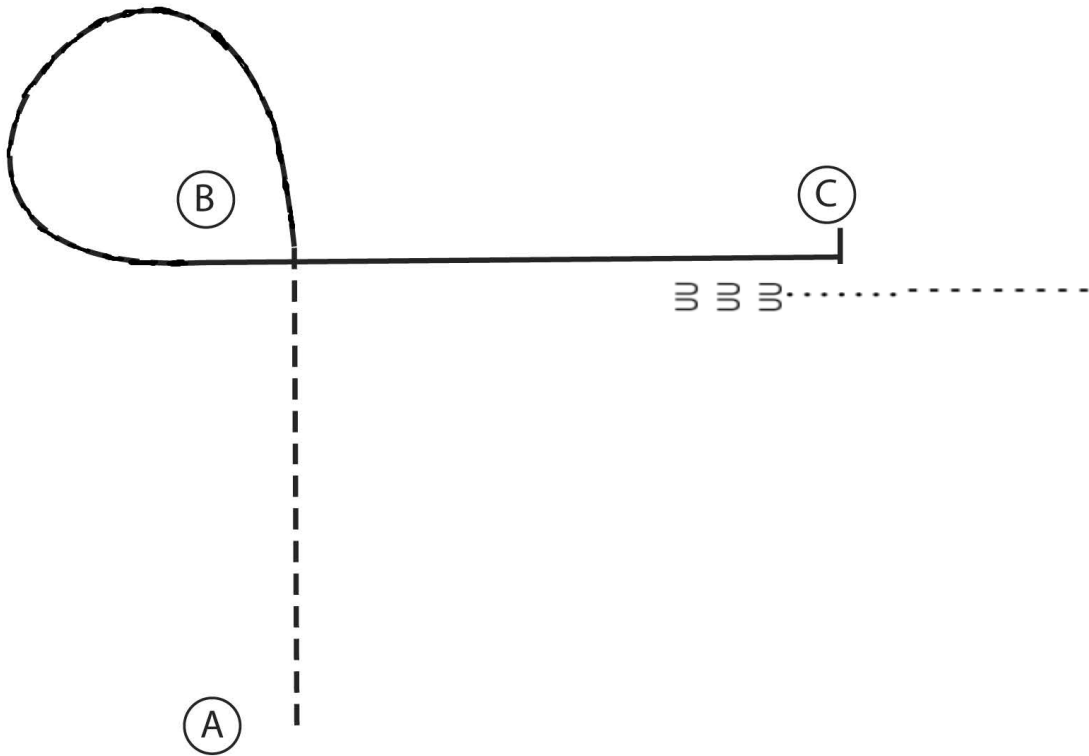
# Wayne Co Fair

## Beg Canter English Equitation




Show Date: 09-10-2024

w w w . H o r s e S h o w P a t t e r n s . c o m

w w w . H o r s e S h o w P a t t e r n s . c o m



1. Posting trot A to B right diagonal
2. At B, canter left lead around B
3. Continue left lead to C
4. Stop at C & back 5 steps
5. Walk 2 horse length, trot to exit

- Walk ..... (dotted line)
- Trot - - - - - (dashed line)
- Extended Trot - - - - - (long dashed line)
- Canter \_\_\_\_\_ (solid line)
- Leg Yield ||||| (vertical lines)
- Lead Change 
- Back 
- Marker (B) (circle with B)
- Sidepass 

[HSE/1-7]

Pattern Provided by:

*Judge*

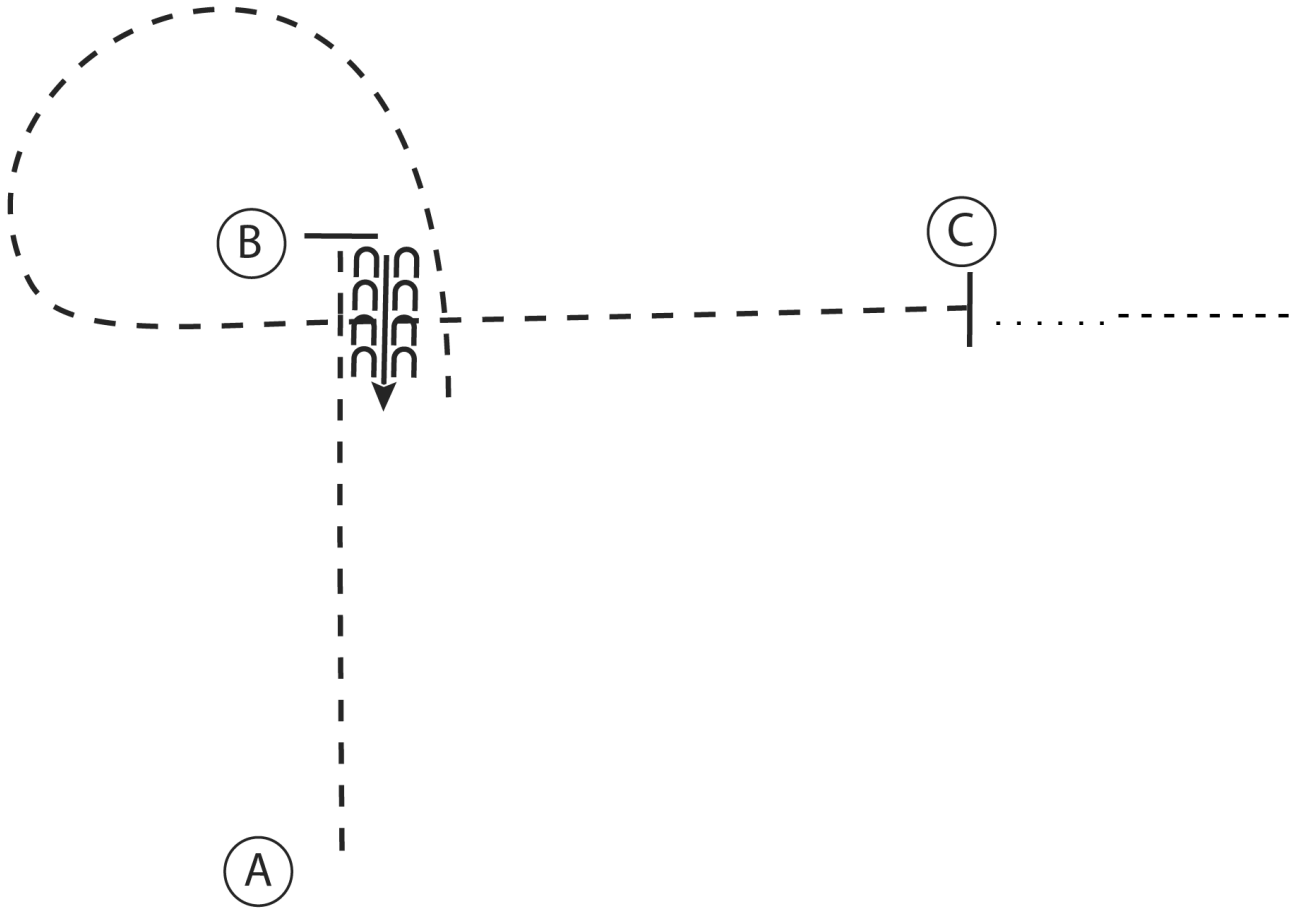
# Wayne Co Fair

## Walk Trot Equitation

Show Date: 09-10-2024

www.HorseShowPatterns.com

www.HorseShowPatterns.com



1. Trot A to B **Left Diagonal**
2. At B stop and back 4 steps
3. Trot a circle around B and continue to C
4. Stop at C **Right Diagonal**
5. Walk 2 horse lengths then trot to exit

Walk	.....
Trot	-----
Extended Trot	- - - - -
Canter	—————
Leg Yield	
Lead Change	↘
Back	←←←←←
Marker	(B)
Sidepass	←-----→

[HSE/WT-2]

Pattern Provided by:

*Judge*